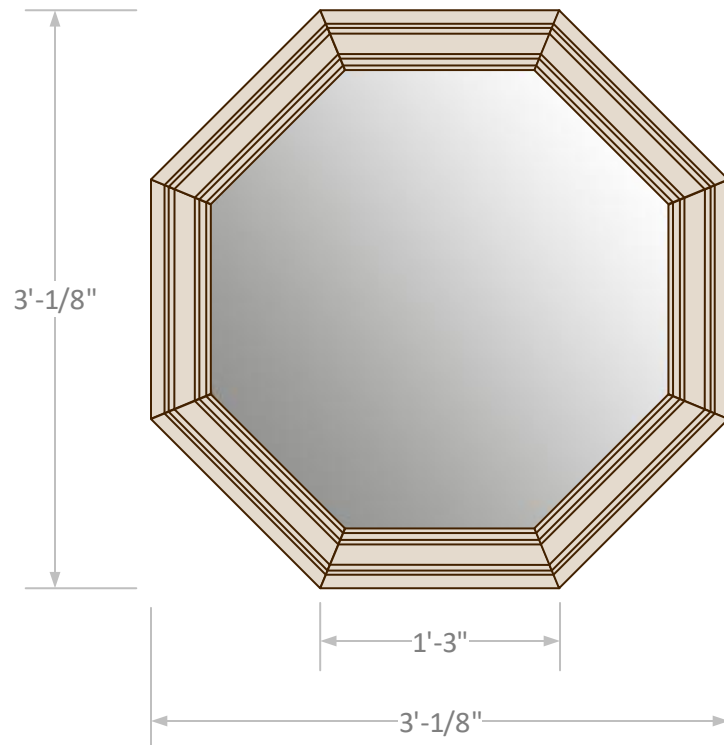


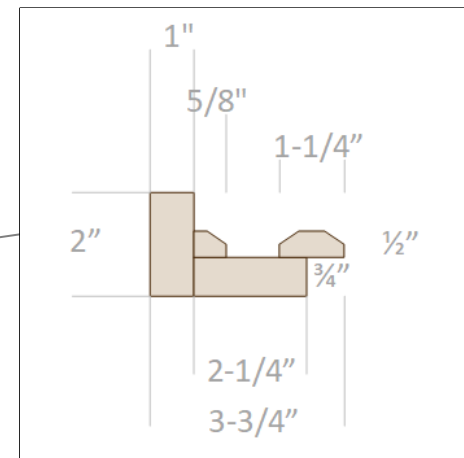
Top View



Front View



Frame Profile



24-2-0702BWM36N

Overall Dimensions: 36"w x 2"d x 36"h
Approx. Weight: 27lbs.
Hardware/Fasteners: Hanger kit
Finish: Natural/Waxed
Packaging: Burlap/Paper/Mixed