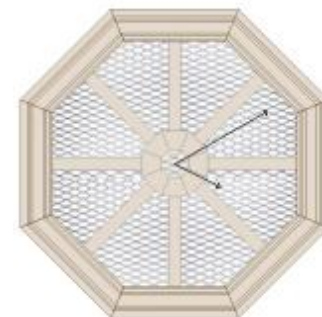


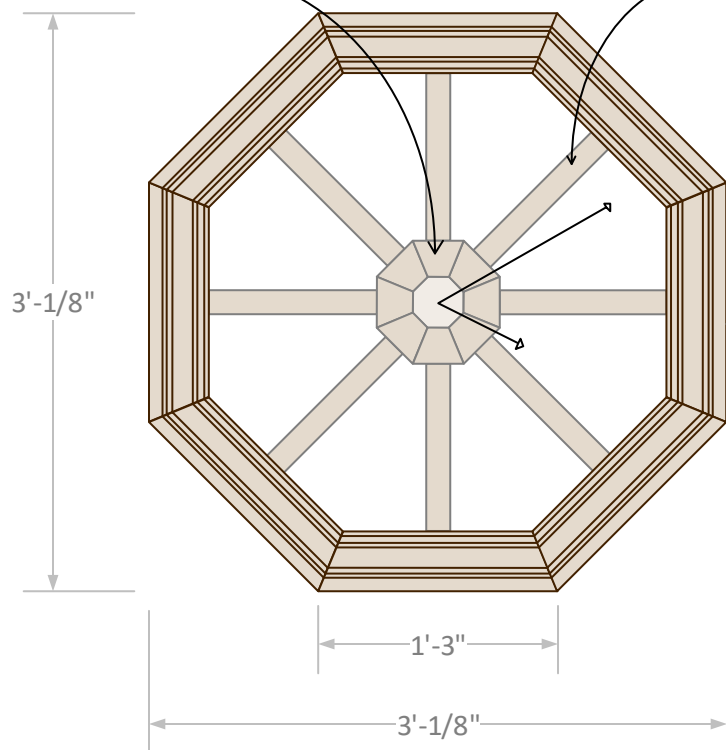
Optional Expanded metal  
backing on open sections



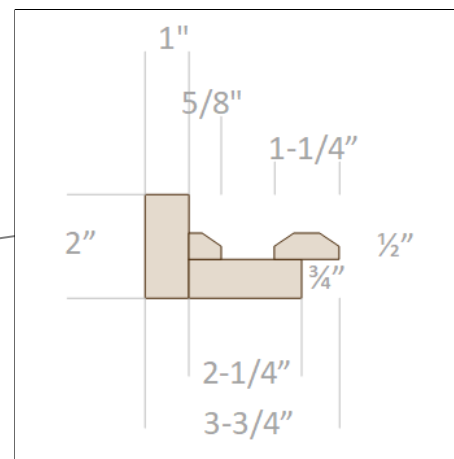
**Front View**

2.25" wide x 3/4" thick

1.5" wide x 3/4" thick



**Frame Profile**



24-2-0103WC36N

Overall Dimensions: 36"w x 4"d x 36"h

Approx. Weight: 28lbs.

Hardware/Fasteners: Hanger kit

Finish: Natural/Waxed

Packaging: Burlap/Paper/Mixed