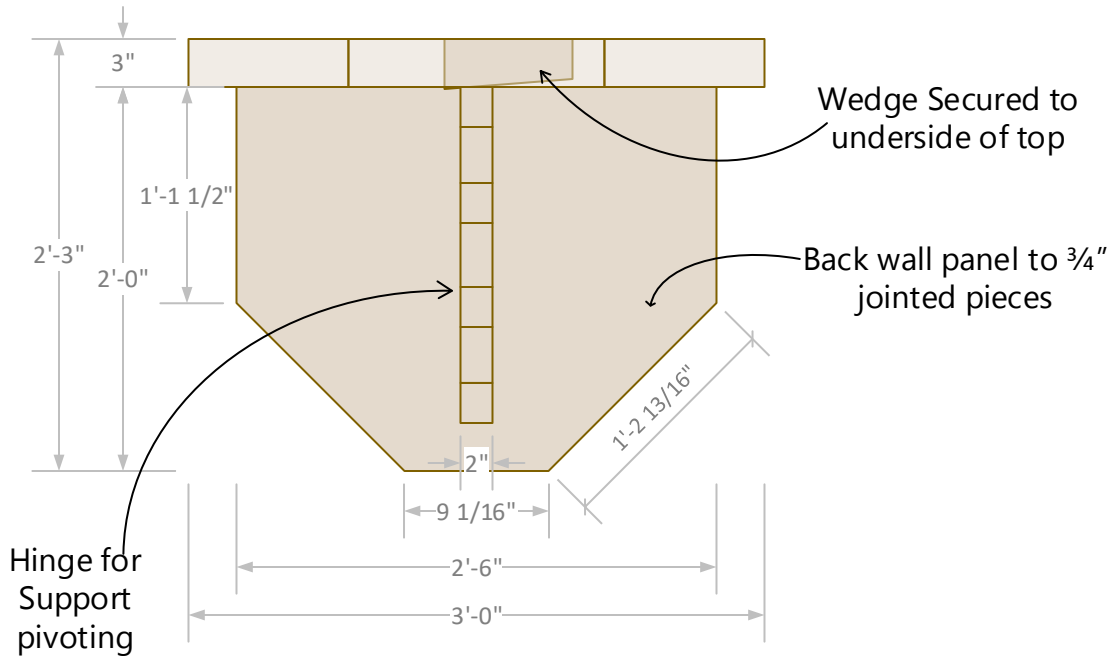
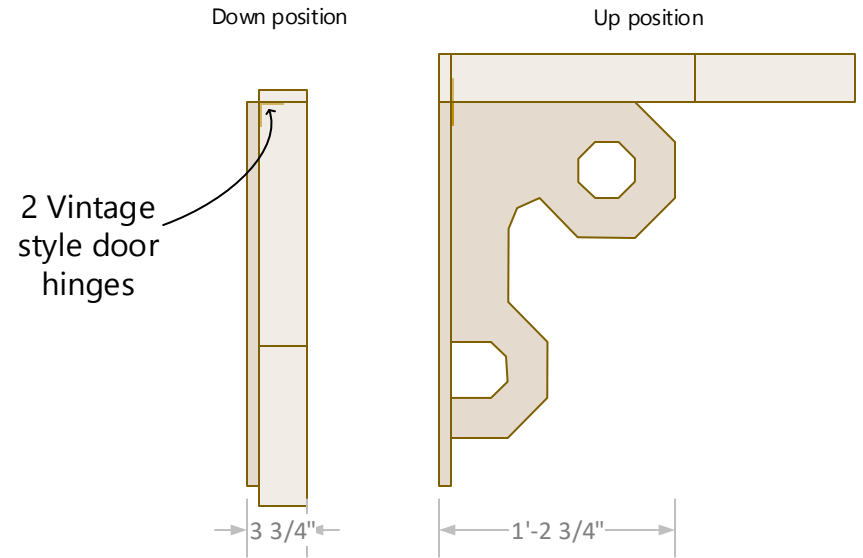


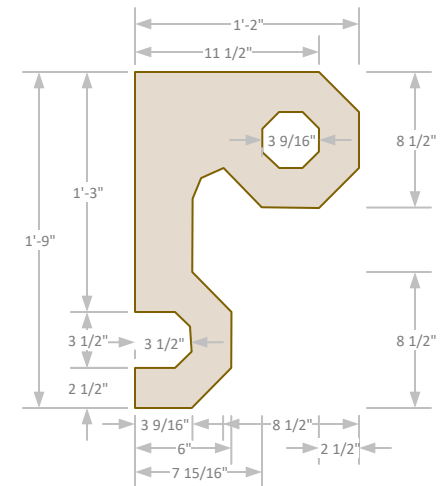
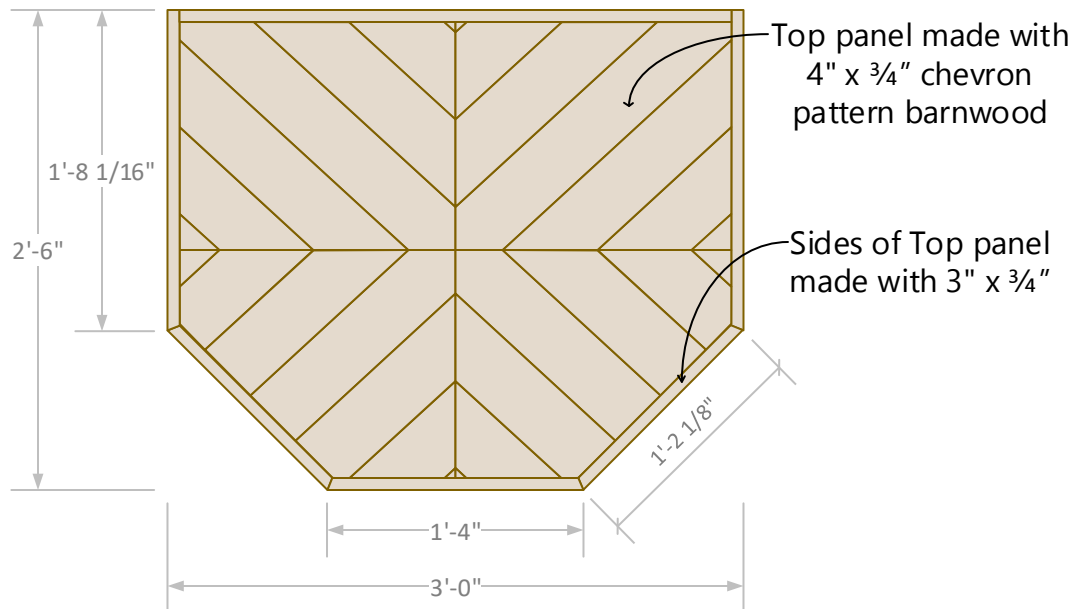
Front View



Side View



Top View



24-1-040730X36N

Overall Dimensions: 30" D x 36" W x 27" H
 Approx. Weight: 48lbs.
 Hardware/Fasteners: Wood Anchor kit
 Finish: Natural/Waxed
 Packaging: Burlap/Paper/Cardboard Box