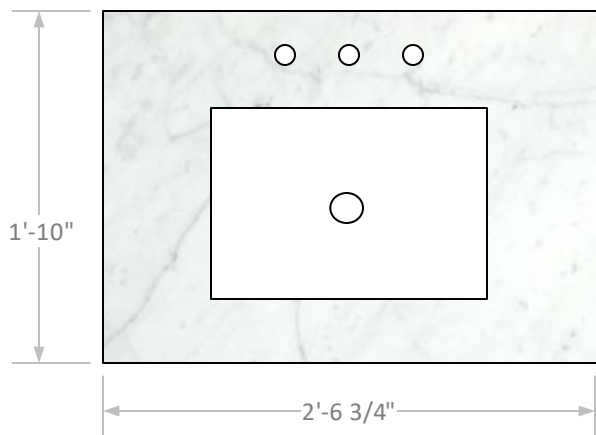
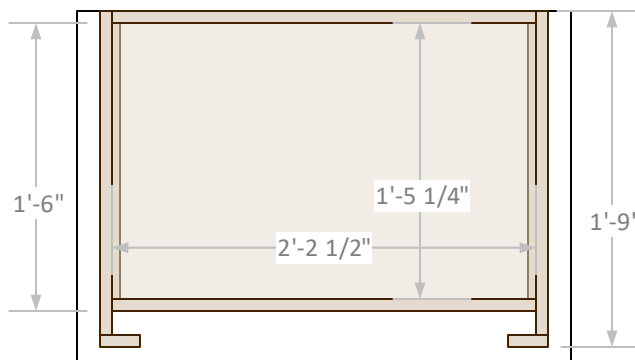


\*All parts made with 3/4" wood

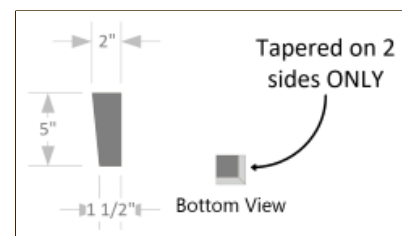
Top Sink View



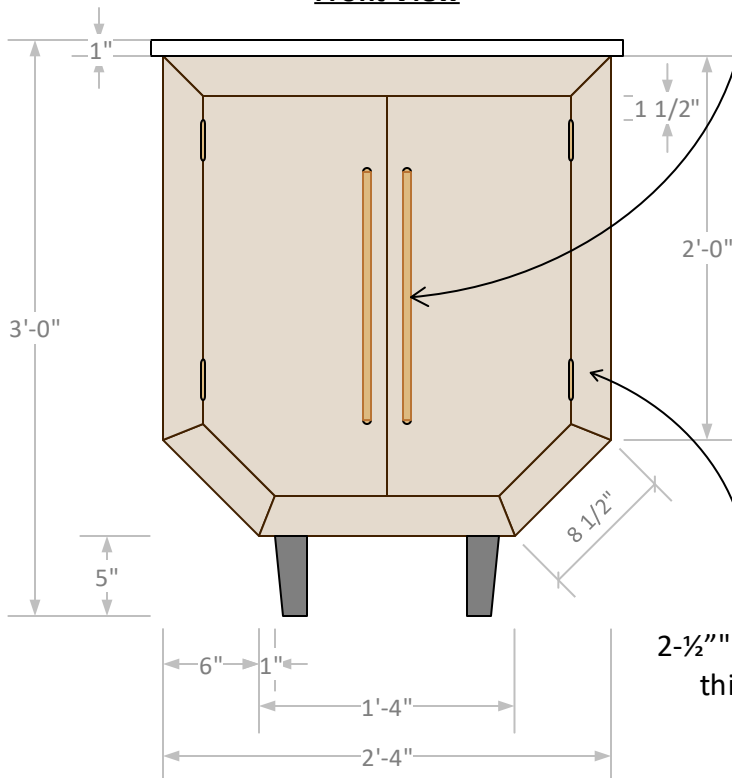
Top View



Feet Detail

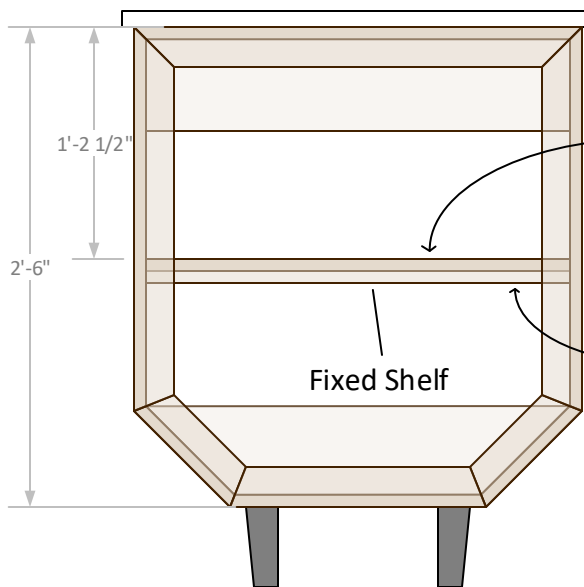


Front View



16" Copper handles

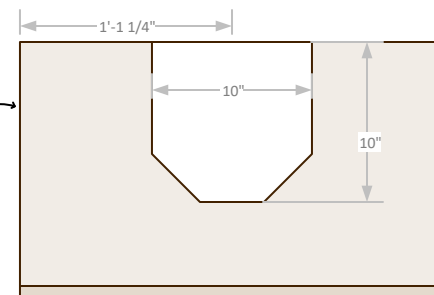
Open View



Cut out back center for Drian pipes

Fixed Shelf

3/4" x 1-1/2" Rail



24-1-0909RV30N

Overall Dimensions: 30"w x 20"d x 36"h

Approx. Weight: 137lbs.

Hardware/Fasteners: Anchor Hardware kit

Finish: Natural/Waxed

Packaging: Burlap/Paper/Wood Frame