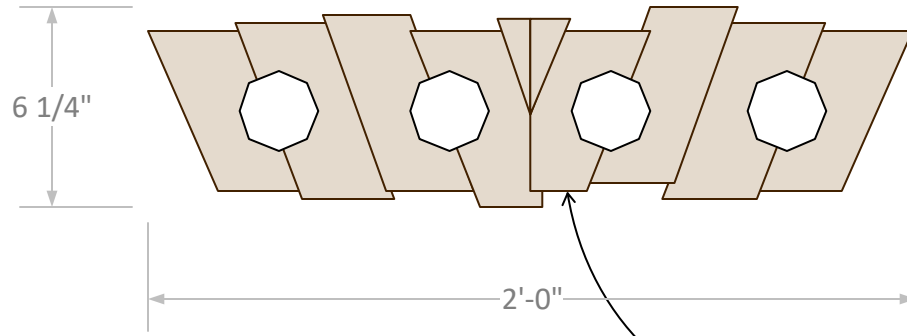
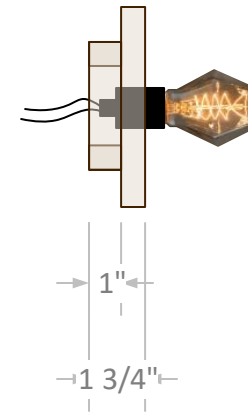


Front View

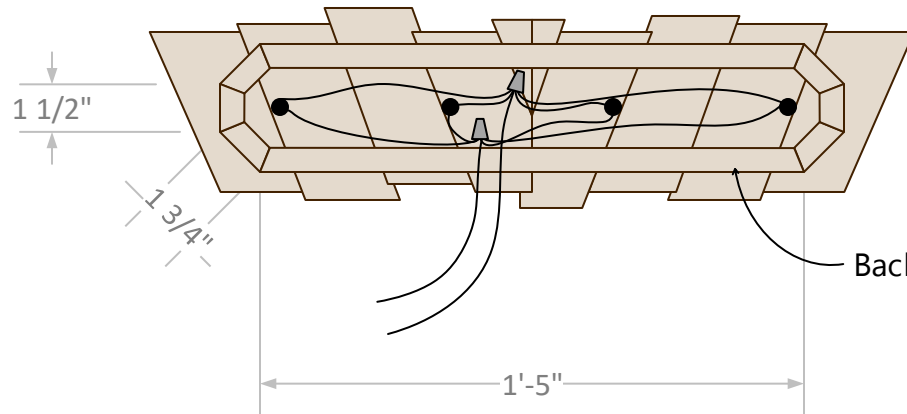


Face pieces made to 2-1/2" x 3/4"
 (Ranging from 5-6" in length)
 *Ends cut on 20 degree except 2 center ones

Side View

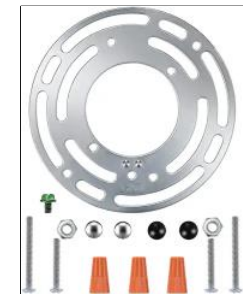


Back View



Back Frame to hide wires

Crossbar Light Kit



24-3-0902RVL24N

Overall Dimensions: 24"w x 1.75"d x 7"h
 Approx. Weight: 7lbs.
 Hardware/Fasteners: Crossbar Light kit
 Finish: Natural/Waxed
 Packaging: Burlap/Paper/Cardboard Box