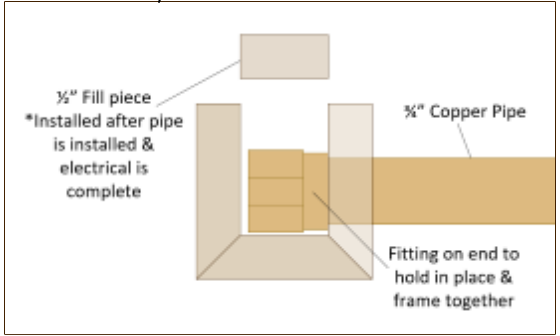


Sides to be assembled with 1/2" x 2" barnwood

Open View



24-1-0910RTR36N

Overall Dimensions: 21"w x 6"d x 36"h
 Approx. Weight: 12lbs.
 Hardware/Fasteners: Anchor Hardware kit
 Finish: Natural/Waxed
 Packaging: Burlap/Paper/Cardboard Box