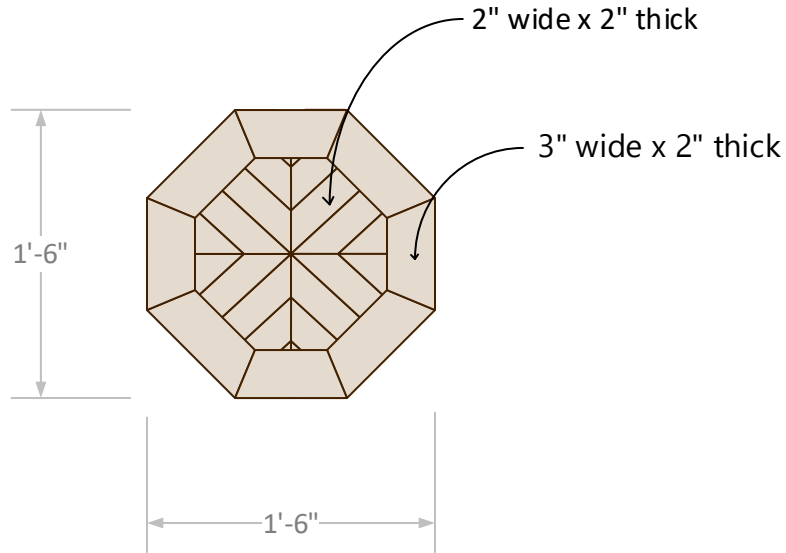
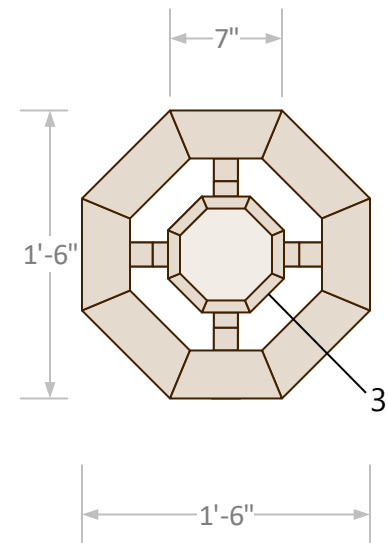


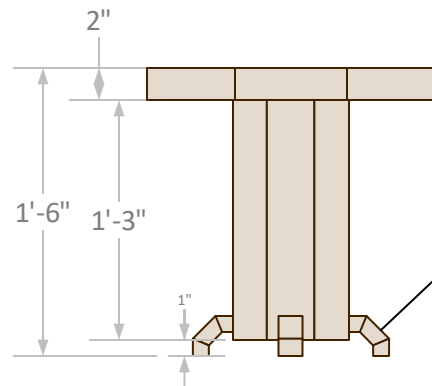
Top View



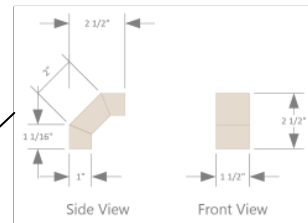
Detail Top View



Front View



Feet Detail



24-1-0103ST18N

Overall Dimensions: **18" w x 18" d x 18" t**
 Approx. Weight: **37lbs.**
 Hardware/Fasteners: **N/A**
 Finish: **Natural/Waxed**
 Packaging: **Burlap/Paper/Cardboard Box**