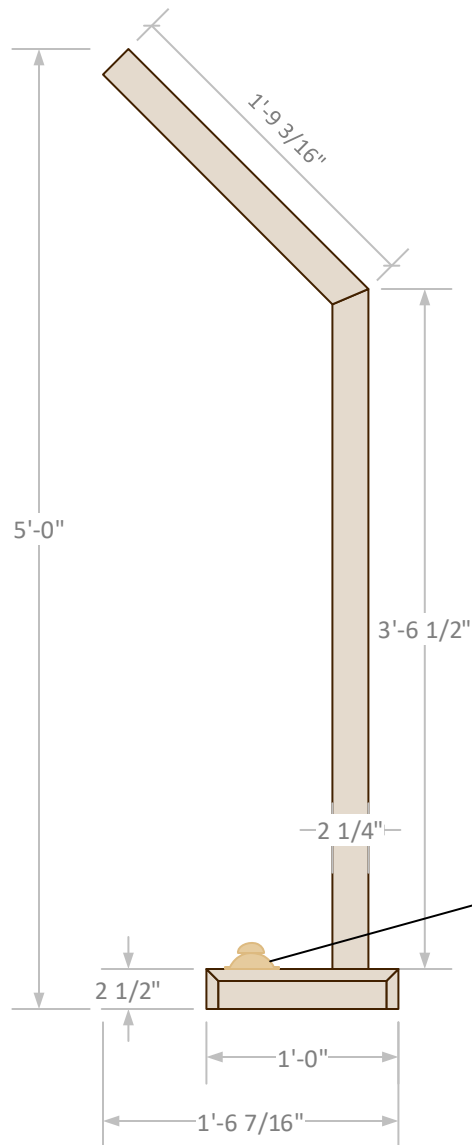
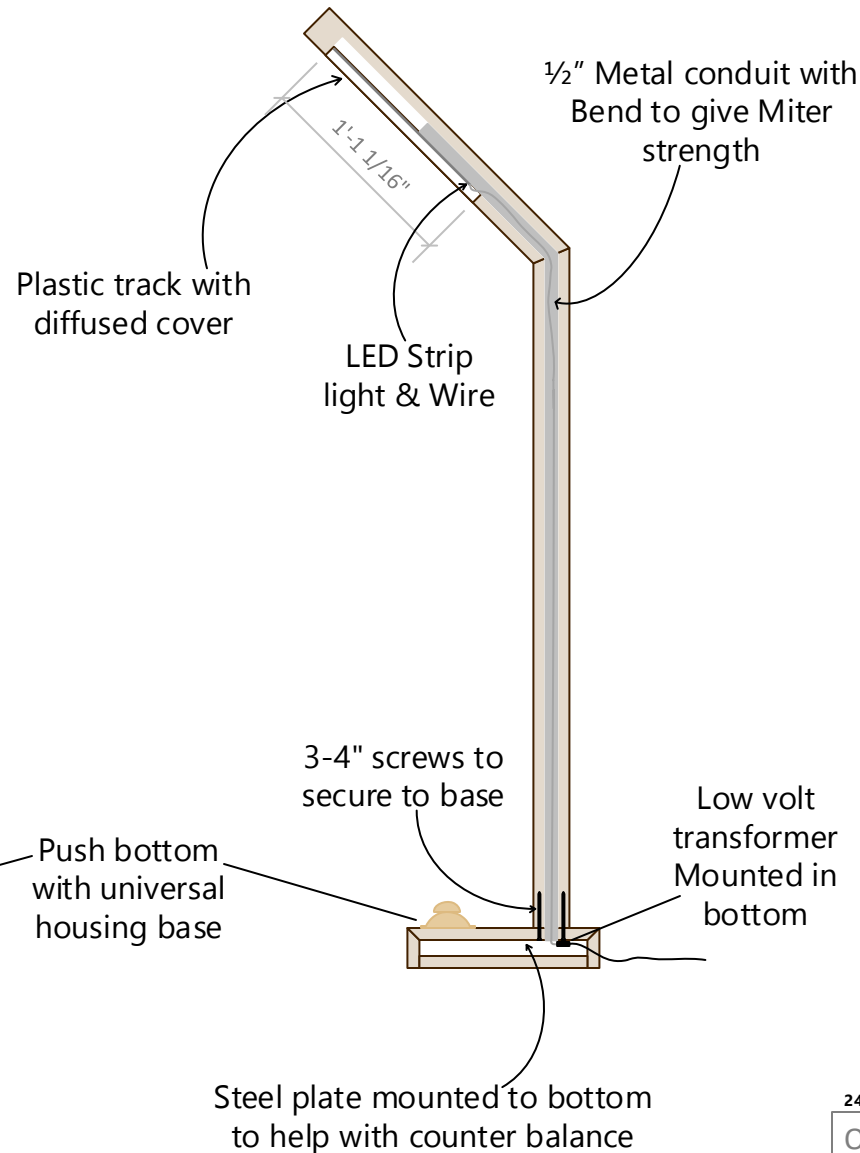


Side View



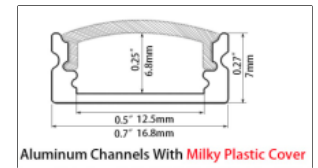
Internal View



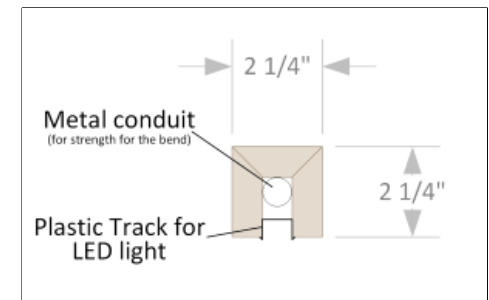
LED Lights



Light Track



Open View



24-3-0807SRL60N

Overall Dimensions: 12" w x 19" d x 60" h
 Approx. Weight: 24lbs.
 Hardware/Fasteners: N/A
 Finish: Natural/Waxed
 Packaging: Burlap/Paper/Mixed