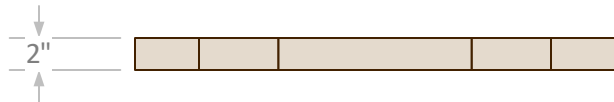
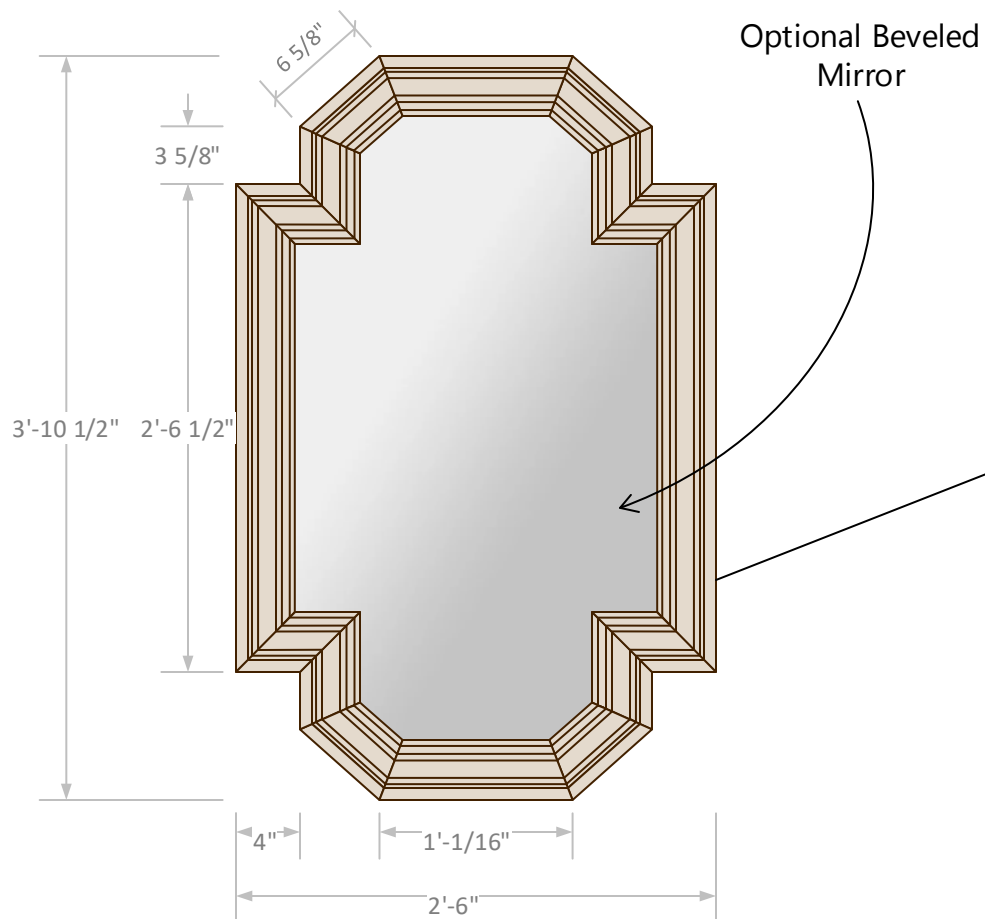


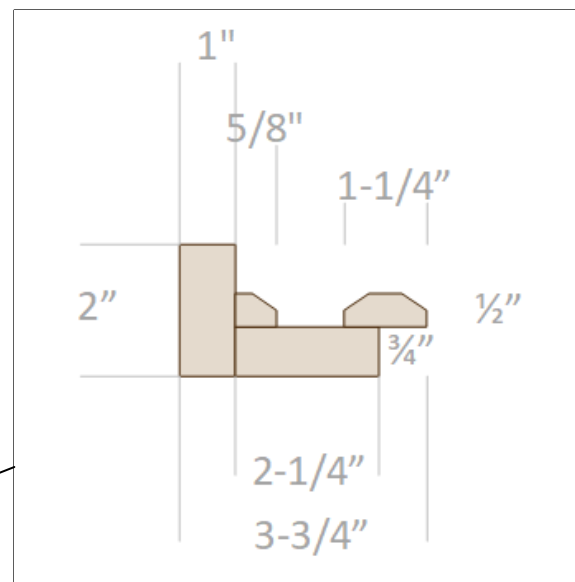
Top View



Front View



Profile Details



24-2-0702GD30N

Overall Dimensions: **30" w x 2" d x 47" h**
Approx. Weight: **38lbs.**
Hardware/Fasteners: **Hanger kit**
Finish: **Natural/Waxed**
Packaging: **Burlap/Paper/Wood Frame**