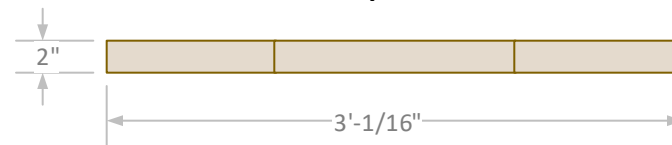


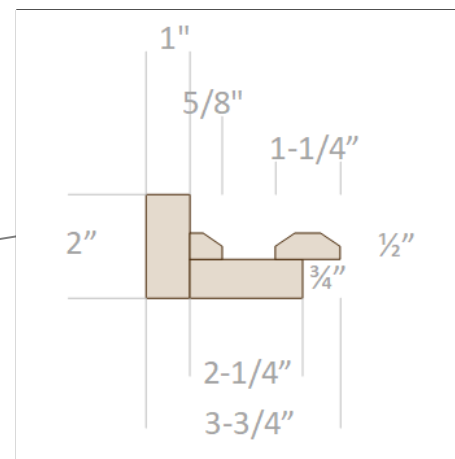
Front View



Top View



Frame Profile



24-2-0702BFLM84N

Overall Dimensions: 36"w x 2"d x 84"h
Approx. Weight: 68lbs.
Hardware/Fasteners: Anchor & Hanging kit
Finish: Natural/Waxed
Packaging: Burlap/Paper/Wood Frame