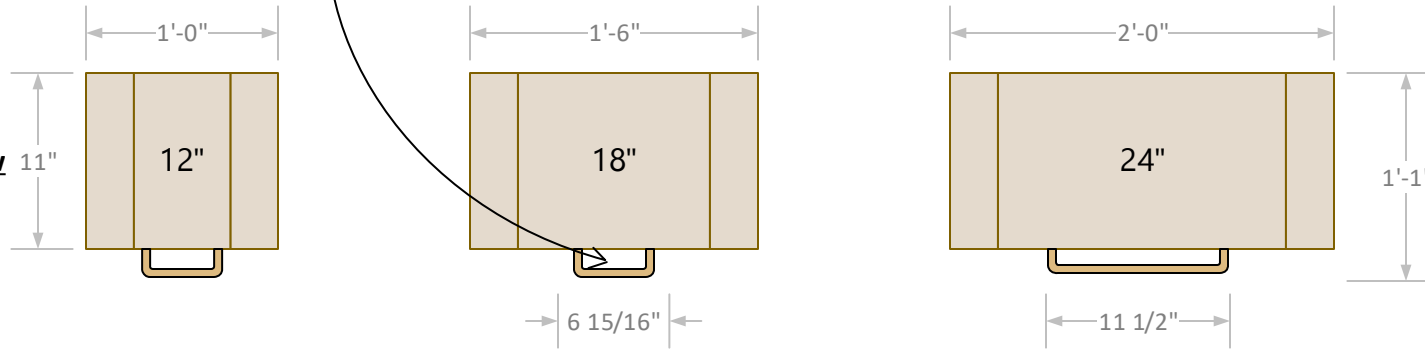
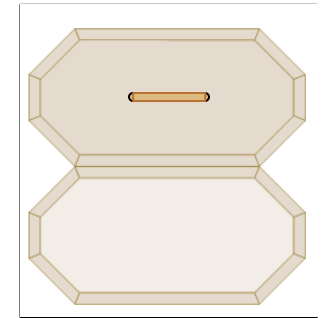


Handle: 1/2" copper pipe handles

Top View

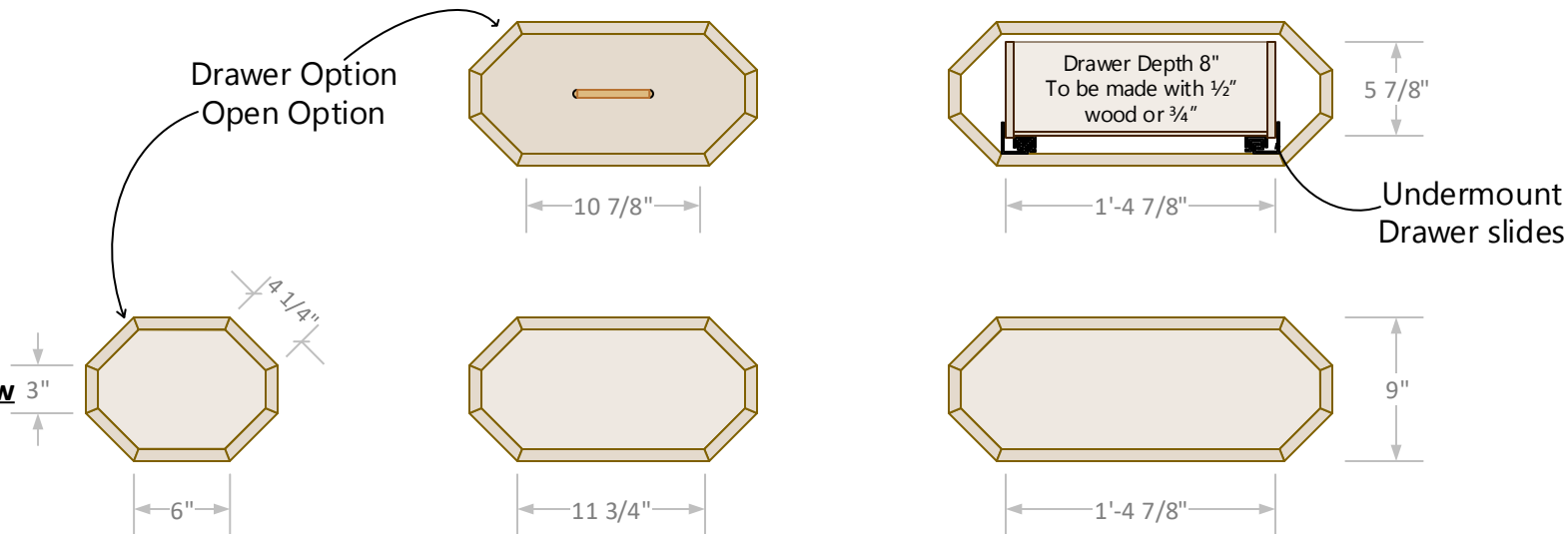


Optional Stacking



Drawer Option
Open Option

Front View



24-1-0703GFST12N

Overall Dimensions: 12"w x 11"d x 9"h
 Approx. Weight: 7lbs. (Drawer 11lbs)
 Hardware/Fasteners: Anchor Hardware kit
 Finish: Natural/Waxed
 Packaging: Burlap/Paper/Cardboard Box

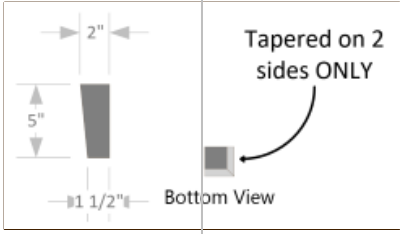
24-1-0703GFST18N

Overall Dimensions: 18"w x 11"d x 9"h
 Approx. Weight: 9lbs. (Drawer 13lbs)
 Hardware/Fasteners: Anchor Hardware kit
 Finish: Natural/Waxed
 Packaging: Burlap/Paper/Cardboard Box

24-1-0703GFST24N

Overall Dimensions: 24"w x 11"d x 9"h
 Approx. Weight: 13lbs. (Drawer 19lbs)
 Hardware/Fasteners: Anchor Hardware kit
 Finish: Natural/Waxed
 Packaging: Burlap/Paper/Cardboard Box

Feet Detail



Floating Table Configurations

