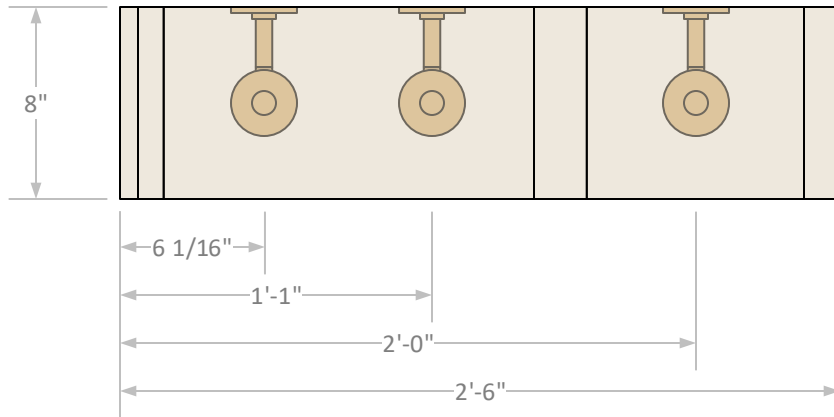
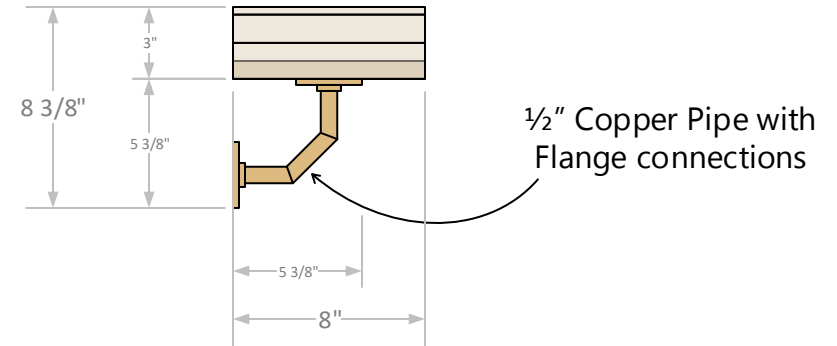


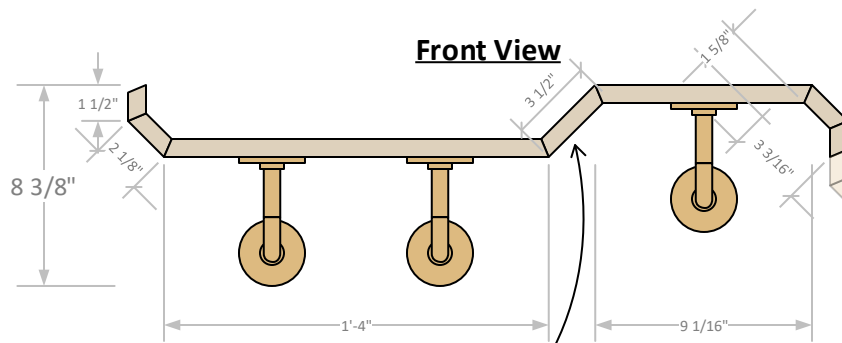
Top View



Side View

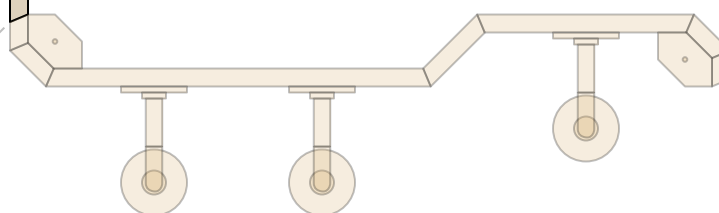


Front View



3/4" Wood shelving

Optional Add-on" Shelf



1/2" Copper Flange



24-2-0804SFS30N

Overall Dimensions: 30"w x 8"d x 8"h
 Approx. Weight: 10lbs.
 Hardware/Fasteners: Anchor Hardware kit
 Finish: Natural/Waxed
 Packaging: Burlap/Paper/Cardboard Box