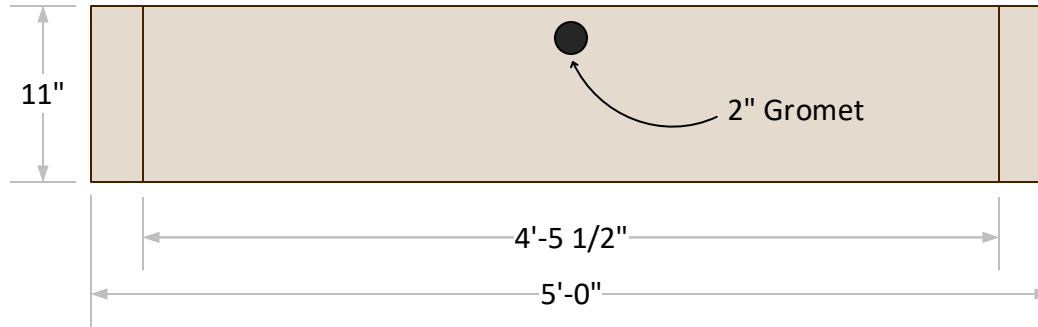
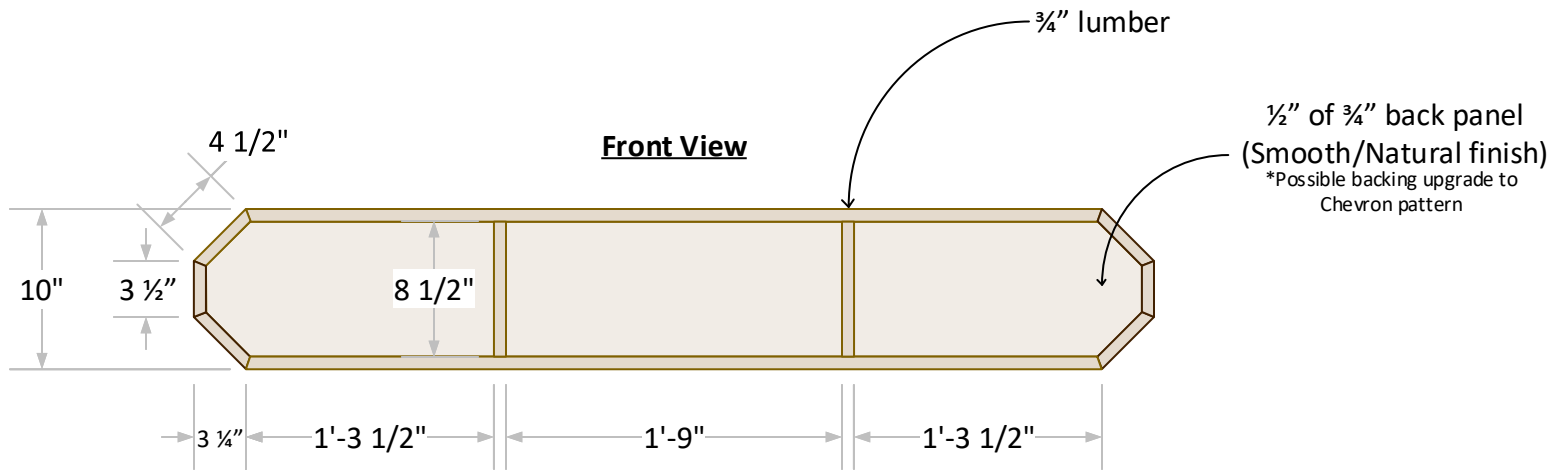


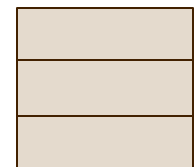
Top View



Front View



Side View



24-1-0103FC60N

Overall Dimensions: 60"w x 11"d x 10"h
Approx. Weight: 35lbs.
Hardware/Fasteners: Wood Anchor kit
Finish: Natural/Waxed
Packaging: Burlap/Paper/Cardboard Box