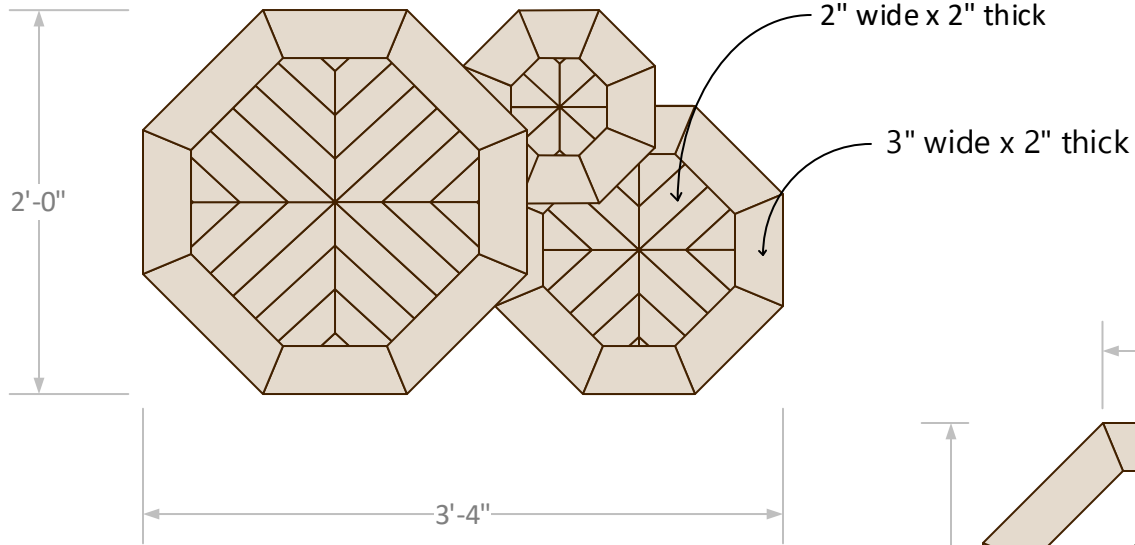
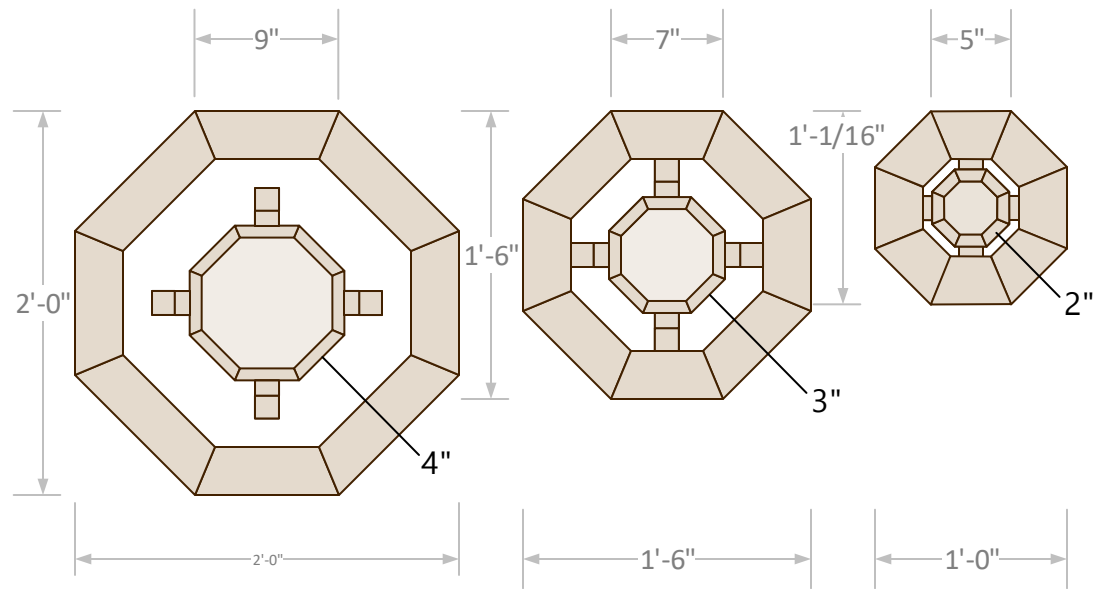


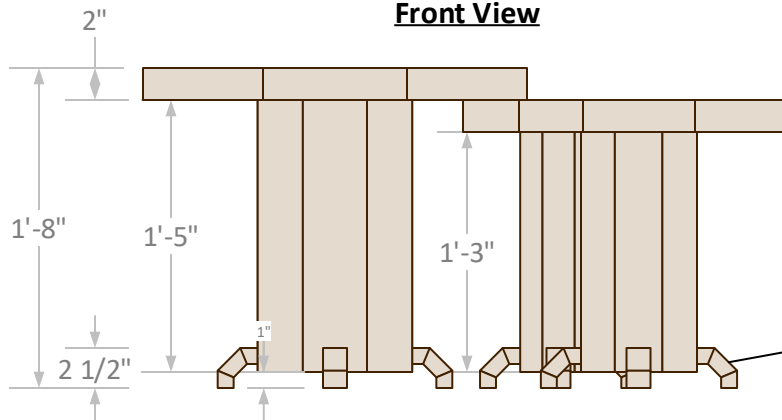
Top View



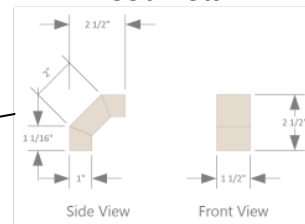
**Detail Top View
 (With Top Removed)**



Front View



Feet Detail



24-1-0103CT40X24N

Overall Dimensions: **40" w x 20" d x 20" h**
 Approx. Weight: **68lbs.**
 Hardware/Fasteners: **N/A**
 Finish: **Natural/Waxed**
 Packaging: **Burlap/Paper/Cardboard Box**